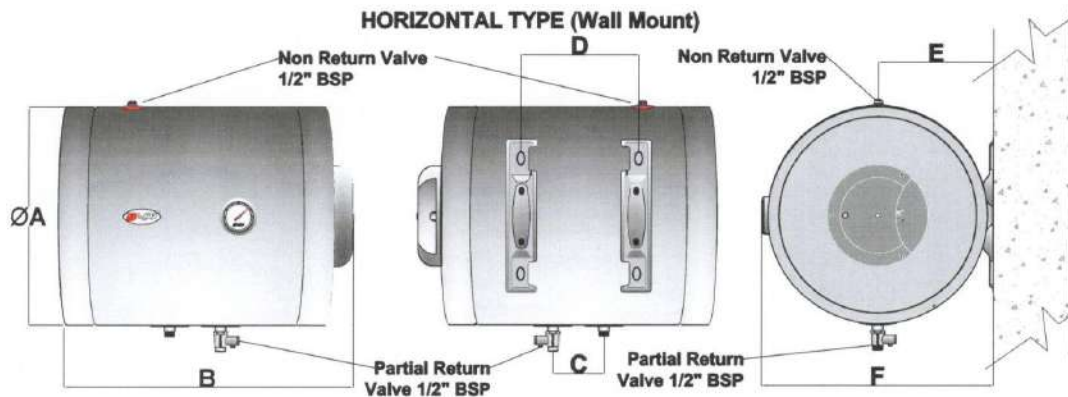


## DOMESTIC WATER HEATER SPECIFICATION



MODEL NO.	BRAND	CAPACITY Liter	VOLTS (V)	WATTS (W)	HERTZ (Hz)	PHASE (PH)	DIMENSION (mm)						PACKING DIMENSION (mm)	WEIGHT (Kg)
							$\varnothing A$	B	C	D	E	F		
L30VS	LIMA	30	220V/240V	1.1	50/60	1	430	405	100	226	235	455	465X465X465	13.5
L50VN	LIMA	50	220V/240V	1.2	50/60	1	430	575	100	226	235	455	465X465X605	17.5
L80VN	LIMA	80	220V/240V	1.5	50/60	1	430	835	100	226	235	455	465X465X865	24.0
L100VN	LIMA	100	220V/240V	1.5	50/60	1	430	980	100	226	235	455	465X465X1010	28.0
L120VN	LIMA	120	220V/240V	2	50/60	1	430	1155	100	226	235	455	465X465X1185	32.0
L150VN	LIMA	150	220V/240V	3	50/60	1	430	1295	100	226	235	455	465X465X1325	36.0



MODEL NO.	BRAND	CAPACITY Liter	VOLTS (V)	WATTS (W)	HERTZ (Hz)	PHASE (PH)	DIMENSION (mm)						PACKING DIMENSION (mm)	WEIGHT (Kg)
							$\varnothing A$	B	C	D	E	F		
L30HS	LIMA	30	220V/240V	1.1	50/60	1	430	395	100	160	235	455	465X465X465	14.5
L50HN	LIMA	50	220V/240V	1.2	50/60	1	430	565	100	220	235	455	465X465X605	18.5
L80HN	LIMA	80	220V/240V	1.5	50/60	1	430	825	100	480	235	455	465X465X865	25.0
L100HN	LIMA	100	220V/240V	1.5	50/60	1	430	970	100	660.5	235	455	465X465X1010	29.0
L120HN	LIMA	120	220V/240V	2	50/60	1	430	1145	100	835.5	235	455	465X465X1185	33.0
L150HN	LIMA	150	220V/240V	3	50/60	1	430	1285	100	975.5	235	455	465X465X1325	37.0

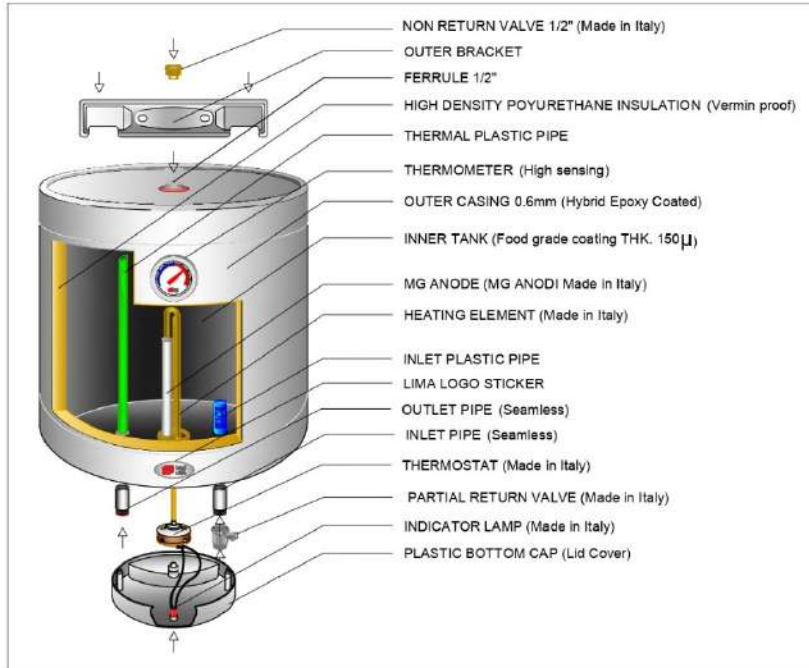


ليما  
LIMA

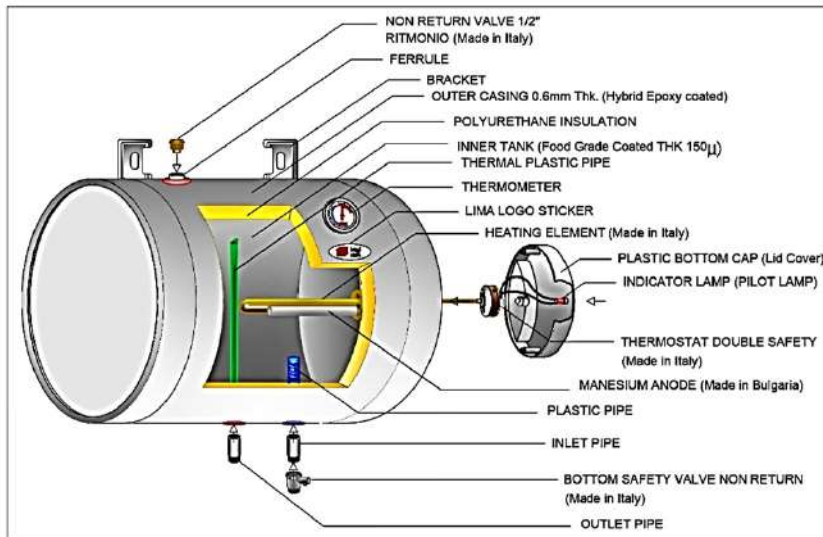
# REEM WATER HEATER FACTORY

## PARTS

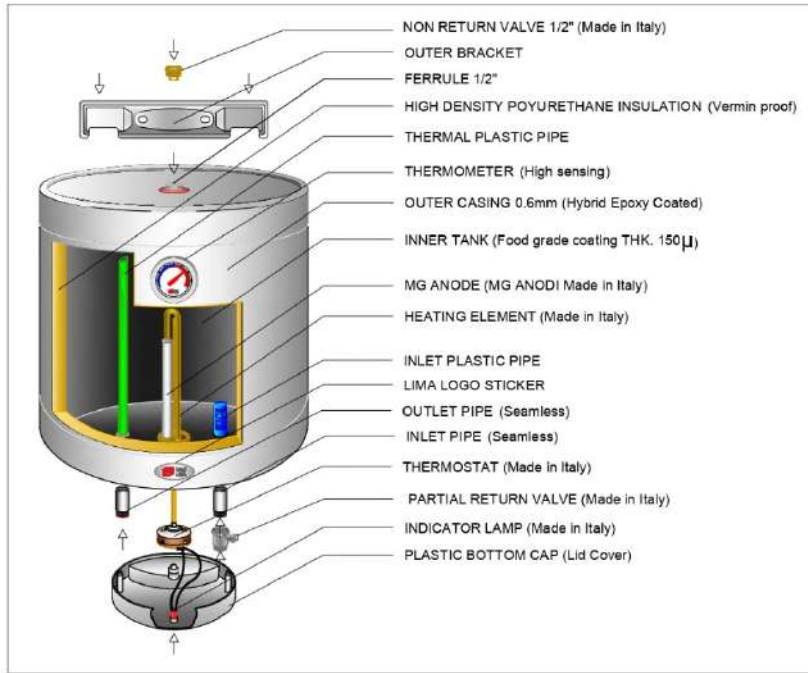
### VERTICAL MODEL



### HORIZONTAL MODEL



## DOMESTIC WATER HEATER MATERIALS



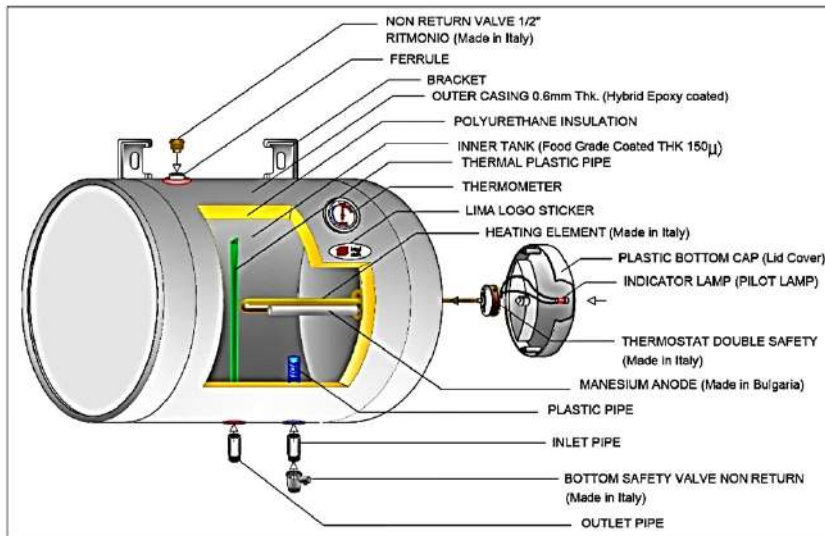
**HEATING ELEMENT**



**THERMOSTAT**



**SAFETY VALVES**



**THERMOMETER**



**MAGNESIUM ANODE**

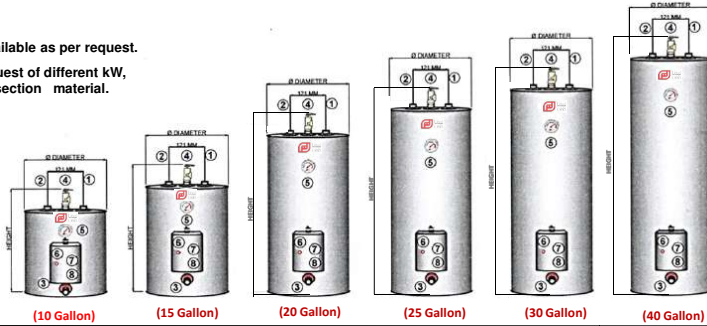


**INDICATOR LAMP**



# REEM WATER HEATER FACTORY

\* Customize design are available as per request.  
 \* Please contact us for request of different kW, voltage rates or storage section material.



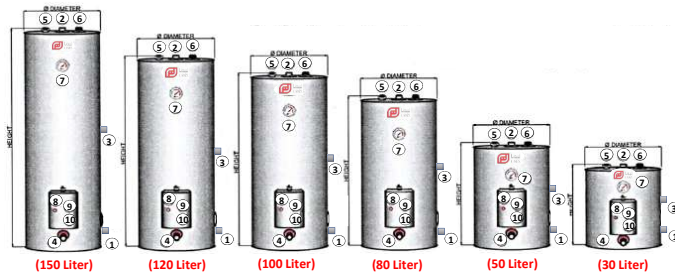
### AMERICAN DESIGN

1. INLET PIPE : 3/4" BSP
2. OUTLET PIPE: 3/4" BSP
3. DRAIN LINE : 3/4" BSP
4. T&P VALVE : SIZE 3/4"
5. THERMOMETER
6. ELECTRICAL BOX
7. THERMOSTAT
8. HEATING ELEMENT

MODEL:		CAPACITY:		BRAND:	TYPE:	MOUNTING:	INGRESS PROTECTION	DIAMETER: Ø (MM)	HEIGHT: (MM)		VOLTS: (V)	WATTS: (kW)	HERTZ: (Hz)	PHASE: (Ph)	RATED PRESSURE: (Psi/BAR)	PRESSURE TEST: (Psi/BAR)	WORKING TEMP. (°C)
(Liter)	(Gallon)	(Liter)	(Gallon)						(Liter)	(Gallon)							
L30VFM	L10GVFM	30	10	LIMA	COMMERCIAL WATER HEATER	VERTICAL FLOOR MOUNT	IP24	430	392	425	220V/240V	1.1	50/60	1	150/10	300/20	65
L50VFM	L15GVFM	50	15	LIMA	COMMERCIAL WATER HEATER	VERTICAL FLOOR MOUNT	IP24	430	562	595	220V/240V	1.2	50/60	1	150/10	300/20	65
L80VFM	L20GVFM	80	20	LIMA	COMMERCIAL WATER HEATER	VERTICAL FLOOR MOUNT	IP24	430	822	855	220V/240V	1.5	50/60	1	150/10	300/20	65
L100VFM	L25GVFM	100	25	LIMA	COMMERCIAL WATER HEATER	VERTICAL FLOOR MOUNT	IP24	430	967	1000	220V/240V	1.5	50/60	1	150/10	300/20	65
L120VFM	L30GVFM	120	30	LIMA	COMMERCIAL WATER HEATER	VERTICAL FLOOR MOUNT	IP24	430	1142	1175	220V/240V	2	50/60	1	150/10	300/20	65
L150VFM	L40GVFM	150	40	LIMA	COMMERCIAL WATER HEATER	VERTICAL FLOOR MOUNT	IP24	430	1282	1315	220V/240V	3	50/60	1	150/10	300/20	65

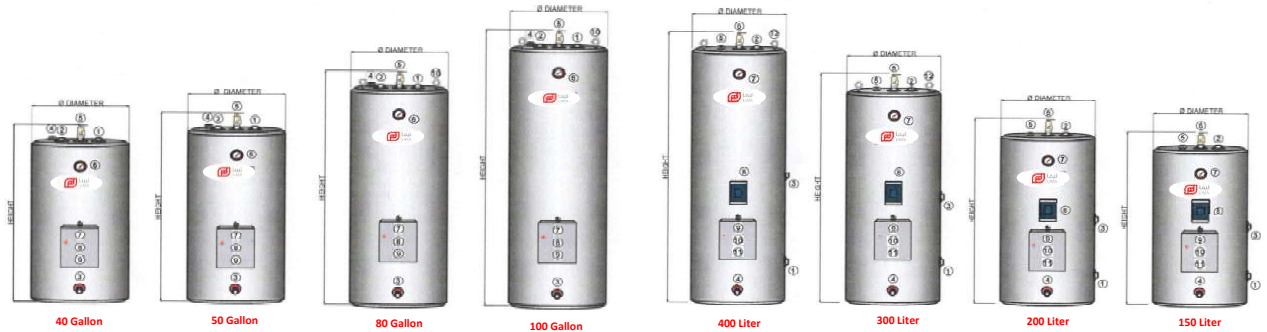
### EUROPEAN DESIGN

1. INLET PIPE : 3/4" BSP
2. OUTLET PIPE: 3/4" BSP
3. RETURN LINE: 3/4" BSP
4. DRAIN LINE : 3/4" BSP
5. T&P VALVE : SIZE 3/4"
6. THERMOMETER
7. ELECTRICAL BOX
8. THERMOSTAT
9. HEATING ELEMENT





# REEM WATER HEATER FACTORY



### AMERICAN DESIGN

- |                           |                     |
|---------------------------|---------------------|
| 1. INLET PIPE : 3/4" BSP  | 6. THERMOMETER      |
| 2. OUTLET PIPE : 3/4" BSP | 7. ELECTRICAL BOX   |
| 3. DRAIN : 3/4" BSP       | 8. THERMOSTATS      |
| 4. MG ANODE : Ø 27 MM     | 9. HEATING ELEMENTS |
| 5. T&P/SASO VALVE : 3/4"  | 10. LIFTING HOOK    |

### EUROPEAN DESIGN

- |                           |                      |
|---------------------------|----------------------|
| 1. INLET PIPE : 3/4" BSP  | 7. THERMOMETER       |
| 2. OUTLET PIPE : 3/4" BSP | 8. MCB               |
| 3. RETURN LINE : 3/4" BSP | 9. ELECTRICAL BOX    |
| 4. DRAIN : 3/4"           | 10. THERMOSTATS      |
| 5. MG ANODE : Ø 27 MM     | 11. HEATING ELEMENTS |
| 6. T&P/SASO VALVE : 3/4"  | 12. LIFTING HOOK     |

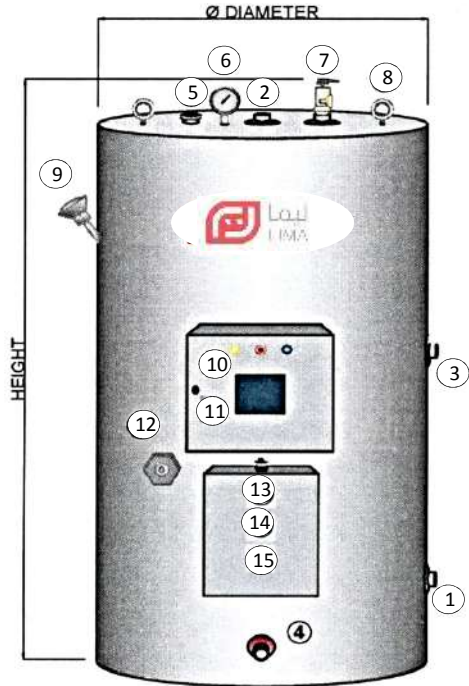
MODEL:		CAPACITY:		BRAND:	TYPE:	MOUNTING:	INGRESS PROTECTION	DIAMETER: Ø (MM)	HEIGHT: (MM)	VOLTS: (V)	WATTS: (KW)	HERTZ: (Hz)	PHASE: (Ph)	RATED PRESSURE: (Psi/BAR)	PRESSURE TEST: (Psi/BAR)	WORKING TEMP. (°C)
(Liter)	(Gallon)	(Liter)	(Gallon)													
L150VFM	L40GVFM	150	40	LIMA	COMMERCIAL WATER HEATER	VERTICAL FLOOR MOUNT	IP24	560	1085	220V/240V	4.0	50/60	1	150/10	300/20	65
L200VFM	L50GVFM	200	50	LIMA	COMMERCIAL WATER HEATER	VERTICAL FLOOR MOUNT	IP24	560	1125	220V/240V	4.0	50/60	1	150/10	300/20	65
L300VFM	L80GVFM	300	80	LIMA	COMMERCIAL WATER HEATER	VERTICAL FLOOR MOUNT	IP24	560	1525	220V/240V	6.0	50/60	1	150/10	300/20	65
L400VFM	L100GVFM	400	100	LIMA	COMMERCIAL WATER HEATER	VERTICAL FLOOR MOUNT	IP24	760	1230	220V/240V	6.0	50/60	1	150/10	300/20	65

\* Customize design are available as per request.

\* Please contact us for request of different kW, voltage rates or storage section material.

## CUSTOMIZED DIGITAL CALORIFIER

**400 Liter / 500 Liter**



**400 Liter**



**500 Liter**

### SPECIFICATION

DESCRIPTION		
Model:	L400VFM	L500VFM
Type:	Commercial EWH	Commercial EWH
Brand:	LIMA	LIMA
Capacity:	400 Liter	500 Liter
Mounting:	Vertical floor mount	Vertical floor mount
Diameter:	Ø760 MM	Ø760 MM
Height:	1230 MM	1490 MM
Rated voltage:	380Vac/400Vac	380Vac/400Vac
Rated power:	As per customer requirements	
Hertz:	50/60 Hz	50/60 Hz
Phase:	3PH	3PH
Rated pressure:	150 Psi/ 10 BAR	150 Psi/ 10 BAR
Pressure test:	300 Psi/ 20 BAR	300 Psi/ 20 BAR
Working temp.:	65°C	65°C

1. COLD WATER INLET : 3/4" BSP
2. HOT WATER OUTLET : 3/4" BSP
3. RETURN LINE : 3/4" BSP
4. DRAIN VALVE : 3/4" BSP
5. MG ANODE : Ø27 MM
6. TEMP. GAUGE : 1/2"
7. T&P VALVE : 3/4"
8. LIFTING HOOK : 2 PCS, 5/8"
9. PT 100 SENSOR
10. DIGITAL CONTROL PANEL (IP66)
11. HMI (TOUCH SCREEN MONITOR)
12. WATER LEVEL SENSOR
13. ELECTRICAL BOX Anti static (IP55)
14. HEATING ELEMENTS
15. THERMOSTATS

## CUSTOMIZED CALORIFIER VERTICAL FLOOR MOUNT

**750 Liter – 10000 Liter**

### SPECIFICATION

TYPE	: COMMERCIAL WATER HEATER
MODEL	: L750VFM - L10000VFM
BRAND	: LIMA
MOUNTING	: VERTICAL FLOOR MOUNT
VOLTAGE	: As per customer requirements
POWER	: As per customer requirements
RATED PRESSURE	: 150 Psi/ 10 BAR
PRESSURE TEST	: 300 Psi/ 20 BAR
TEMP. SETTING	: 65°C

### PARTS

1. INLET PIPE	11. LIFTING HOOK
2. OUTLET PIPE	12. PT100 SENSOR
3. RETURN LINE	13. CONTROL PANEL
4. DRAIN LINE	14. HMI (TOUCH SCREEN MONITOR)
5. MANHOLE	15. WATER LEVEL SENSOR
6. MAGNESIUM ANODE	16. ELECTRICAL BOX
7. TEMPERATURE GAUGE	17. THERMOSTATS
8. PRESSURE GAUGE	18. HEATING ELEMENTS
9. T&P VALVE	19. MOUNTING RING
10. AIR VENT VALVE	20. FOOT (4)
	21. PEDESTAL (Customer provided)



DESCRIPTION:					DIMENSION:			FITTINGS:			
MODEL	BRAND	CAPACITY		VOLTAGE (V)	WATTS (kW)	Ø DIA. (MM)	HEIGHT (MM)	INLET PIPE	OUTLET PIPE	RETURN LINE	DRAIN
		(liter)	(gallon)								
L750VFM	LIMA	750	198.4	380V/400V, 50/60Hz, 3PH	24	900	2150	1 1/4"	1 1/4"	1 1/4"	1"
L1000VFM	LIMA	1000	264.5	380V/400V, 50/60Hz, 3PH	36	900	2450	1 1/4"	1 1/4"	1 1/4"	1"
L1300VFM	LIMA	1300	343.9	380V/400V, 50/60Hz, 3PH	36	1300	1895	1 1/2"	1 1/2"	1 1/2"	1 1/4"
L1500VFM	LIMA	1500	396.8	380V/400V, 50/60Hz, 3PH	48	1300	2450	1 1/2"	1 1/2"	1 1/2"	1 1/4"
L2000VFM	LIMA	2000	529.1	380V/400V, 50/60Hz, 3PH	60	1300	2550	2"	2"	2"	1 1/4"
L2500VFM	LIMA	2500	661.3	380V/400V, 50/60Hz, 3PH	72	1300	2868	2"	2"	2"	1 1/4"
L3000VFM	LIMA	3000	793.6	380V/400V, 50/60Hz, 3PH	84	1300	3430	NB50	NB50	NB50	1 1/4"
L3500VFM	LIMA	3500	925.9	380V/400V, 50/60Hz, 3PH	96	1600	2586	NB50	NB50	NB50	1 1/4"
L4000VFM	LIMA	4000	1058.2	380V/400V, 50/60Hz, 3PH	108	1600	3090	NB75	NB75	NB75	2"
L5000VFM	LIMA	5000	1322.7	380V/400V, 50/60Hz, 3PH	120	1600	3087	NB75	NB75	NB75	2"
L6000VFM	LIMA	6000	1587.3	380V/400V, 50/60Hz, 3PH	144	1950	2680	NB100	NB100	NB100	2"
L7000VFM	LIMA	7000	1851.8	380V/400V, 50/60Hz, 3PH	156	1950	3090	NB100	NB100	NB100	2"
L8000VFM	LIMA	8000	2116.4	380V/400V, 50/60Hz, 3PH	168	2240	2750	NB100	NB100	NB100	2"
L9000VFM	LIMA	9000	2380.9	380V/400V, 50/60Hz, 3PH	180	2240	3030	NB150	NB150	NB150	3"
L10000VFM	LIMA	10000	2645.5	380V/400V, 50/60Hz, 3PH	192	2240	3338	NB150	NB150	NB150	3"

\* 460V and 480V, 3Phase are special, request only.

\* 220V, 3Phase are special, request only.

\* Customize design are available as per request.

\* Contact us for request of different wattage, voltage rates, or storage section material.

## CUSTOMIZED CALORIFIER HORIZONTAL FLOOR MOUNT

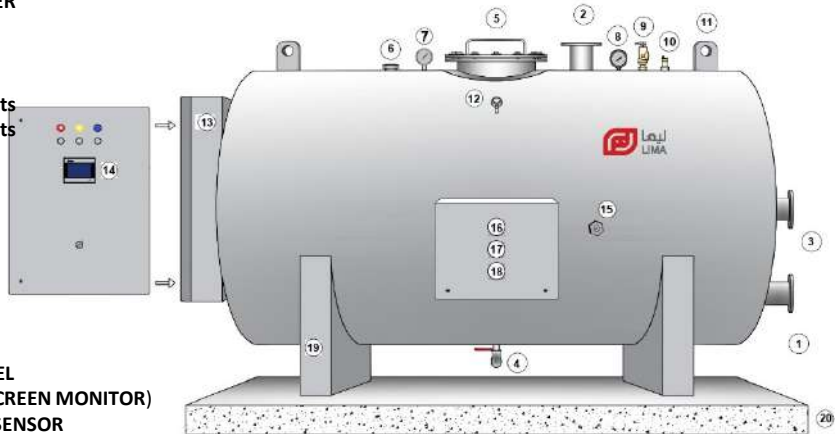
**750 Liter – 10000 Liter**

### SPECIFICATION

TYPE	: COMMERCIAL WATER HEATER
MODE	: L750VFM - L10000VFM
BRAND	: LIMA
MOUNTING	: VERTICAL FLOOR MOUNT
VOLTAGE	: As per customer requirements
POWER	: As per customer requirements
RATED PRESSURE	: 150 Psi/ 10 BAR
PRESSURE TEST	: 300 Psi/ 20 BAR
TEMP. SETTING	: 65°C

### PARTS

- |                      |                                  |
|----------------------|----------------------------------|
| 1. INLET PIPE        | 11. LIFTING HOOK                 |
| 2. OUTLET PIPE       | 12. PT100 SENSOR                 |
| 3. RETURN LINE       | 13. CONTROL PANEL                |
| 4. DRAIN LINE        | 14. HMI (TOUCH SCREEN MONITOR)   |
| 5. MANHOLE           | 15. WATER LEVEL SENSOR           |
| 6. MAGNESIUM ANODE   | 16. ELECTRICAL BOX               |
| 7. TEMPERATURE GAUGE | 17. THERMOSTATS                  |
| 8. PRESSURE GAUGE    | 18. HEATING ELEMENTS             |
| 9. T&P VALVE         | 19. MOUNTING SKID                |
| 10. AIR VENT VALVE   | 20. PEDESTAL (Customer provided) |



MODEL	BRAND	DESCRIPTION:		WATTS (kw)	DIMENSION:			FITTINGS:				
		CAPACITY (liter)	CAPACITY (gallon)		VOLTAGE (V)	Ø DIA. (MM)	LEINGHT (MM)	HEIGHT (MM)	INLET PIPE	OUTLET PIPE	RETURN LINE	DRAIN
L750HFM	LIMA	750	198.4	380V/400V, 50/60Hz, 3PH	24	900	2150	1330	1 1/4"	1 1/4"	1 1/4"	1"
L1000HFM	LIMA	1000	264.5	380V/400V, 50/60Hz, 3PH	36	900	2450	1330	1 1/4"	1 1/4"	1 1/4"	1"
L1300HFM	LIMA	1300	343.9	380V/400V, 50/60Hz, 3PH	36	1300	1895	1730	1 1/2"	1 1/2"	1 1/2"	1 1/4"
L1500VFM	LIMA	1500	396.8	380V/400V, 50/60Hz, 3PH	48	1300	2450	1730	1 1/2"	1 1/2"	1 1/2"	1 1/4"
L2000VFM	LIMA	2000	529.1	380V/400V, 50/60Hz, 3PH	60	1300	2550	1730	2"	2"	2"	1 1/4"
L2500VFM	LIMA	2500	661.3	380V/400V, 50/60Hz, 3PH	72	1300	2868	1730	2"	2"	2"	1 1/4"
L3000VFM	LIMA	3000	793.6	380V/400V, 50/60Hz, 3PH	84	1300	3430	1730	NB50	NB50	NB50	1 1/4"
L3500VFM	LIMA	3500	925.9	380V/400V, 50/60Hz, 3PH	96	1600	2586	2080	NB50	NB50	NB50	1 1/4"
L4000VFM	LIMA	4000	1058.2	380V/400V, 50/60Hz, 3PH	108	1600	3090	2080	NB75	NB75	NB75	2"
L5000VFM	LIMA	5000	1322.7	380V/400V, 50/60Hz, 3PH	120	1600	3087	2080	NB75	NB75	NB75	2"
L6000VFM	LIMA	6000	1587.3	380V/400V, 50/60Hz, 3PH	144	1950	2680	2430	NB100	NB100	NB100	2"
L7000VFM	LIMA	7000	1851.8	380V/400V, 50/60Hz, 3PH	156	1950	3090	2430	NB100	NB100	NB100	2"
L8000VFM	LIMA	8000	2116.4	380V/400V, 50/60Hz, 3PH	168	2240	2750	2720	NB100	NB100	NB100	2"
L9000VFM	LIMA	9000	2380.9	380V/400V, 50/60Hz, 3PH	180	2240	3030	2720	NB150	NB150	NB150	3"
L10000VFM	LIMA	10000	2645.5	380V/400V, 50/60Hz, 3PH	192	2240	3338	2720	NB150	NB150	NB150	3"

\* 460V and 480V, 3Phase are special, request only.

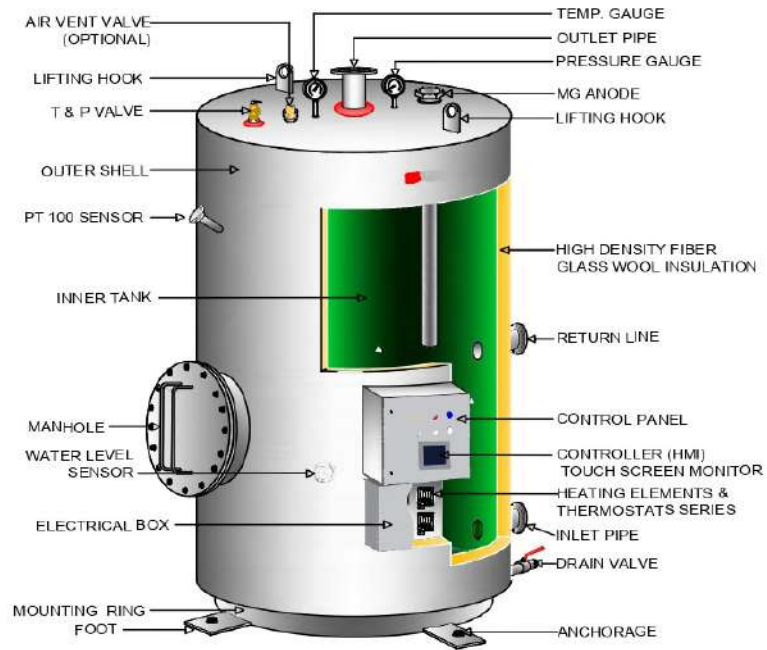
\* 220V, 3Phase are special, request only.

\* Customize design are available as per request.

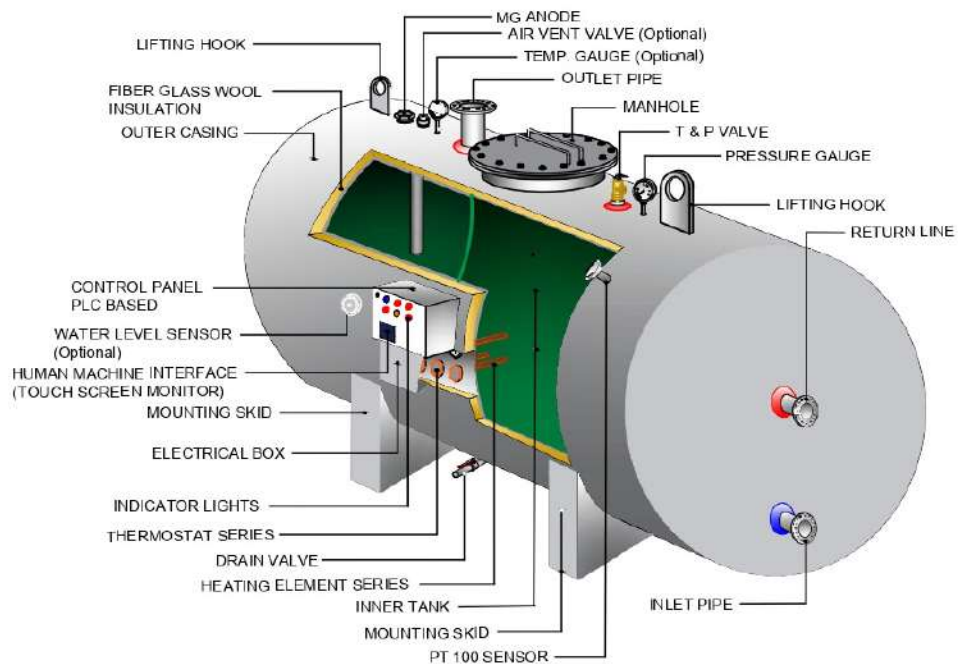
\* Contact us for request of different wattage, voltage rates, or storage section material.

## CALORIFIER PARTS & MATERIALS

### VERTICAL FLOOR MOUNT CUSTOMIZED WATER HEATER



### HORIZONTAL FLOOR MOUNT CUSTOMIZED WATER HEATER



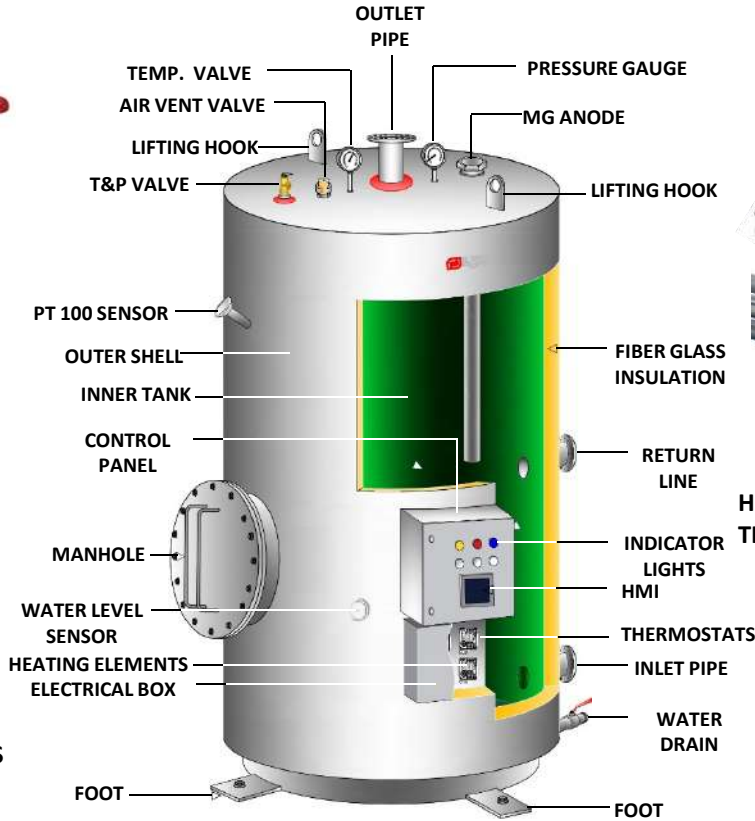
## CALORIFIER MATERIALS



**SAFETY VALVES**



**INDICATOR LIGHTS**



**HEATING ELEMENTS & THERMOSTATS COMPONENTS**



**CONTROLLER (HMI)**



**ELECTRICAL BOX & PANELS**



**THERMOMETERS SENSORS & GAUGES**



**BREAKERS (MCB)**



**PLC**



**MAGNESIUM ANODES**